

LICO®

www.prevent-a-fire.eu

LICO HDL3 & HDL5, certified EN54-5-Heat- & Fire-Detectors

Detect Heat and prevent Overheat, Fire & Explosion



Heat detector



Ready to install units



Custom made Alarmpanels



MECHATRONIK
ELEKTRONIK UND
ELEKTROMASCHINENBAU
MEISTERBETRIEB

LICO Electronics GmbH
Klederinger Str. 31,
A-2320 Kledering, Austria
Tel: +43 1 706 43 000
Email: office@lico.at | sales@lico.at



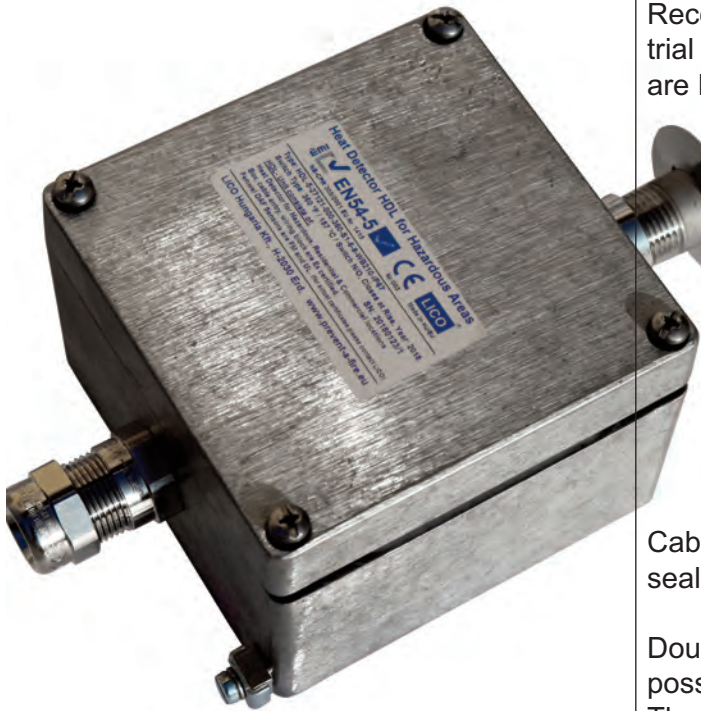
EN54-5



LICO develops and manufactures in the EU



HDL-5-EN54-5 Very High Temperature Heat- & Fire-Detector



HDL-5-EN54-5:

Recommended for any kind of high temperature industrial and commercial applications where there are EN54-5 and or ATEX/ Ex requirements.

Simply easy, very price economic and reliable Heat & Fire Detector unit. Designed until 220 °C ATEX-certified permanent temperature applications. The real max. operational temperature can be higher.

Sensors are mounted with maximum calibrated torque tool of 27 NM and sealed with special, high temperature sealant.

Cable glands are mounted & fixed with counter nut and sealed with special, high temperature sealant.

Double thread allows unique through wall installation possibilities use with Sensor 28020-003 or 28021-005. The Junction Box may stay at the cooler part of the installation Detect-A-Fire-Sensor with Coupling Head.

*Housing ATEX/Ex-certified:

Ex II 2 GD, Ex e/ib IIC Gb, Ex tb IIIC Db IP6X*
- 70°C/+220°C with Silicone-seal, - IP66/67

- Ceramic Wiring Terminals: ATEX/Ex-certified::
ATEX certified until 210°C, max op.temp: >300°C

Standard ATEX/EX Cable gland :

ATEX certified -70 - +220°C with Silicone-seal, IP66/68

Options/ Accessories:

- oil-resistant mounting of Heat Detector & Cable Gland
- 2. Cable gland
- Cement based ultra high temperature Series and EOL – End of Line Resistors
- Ultra high temperature Silicone Sealings

HDL-3 & HDL 5 Components are Certified according to:

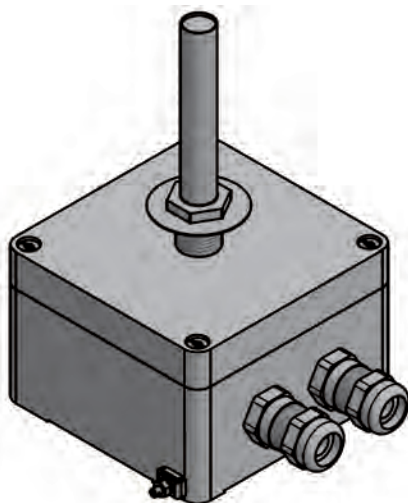
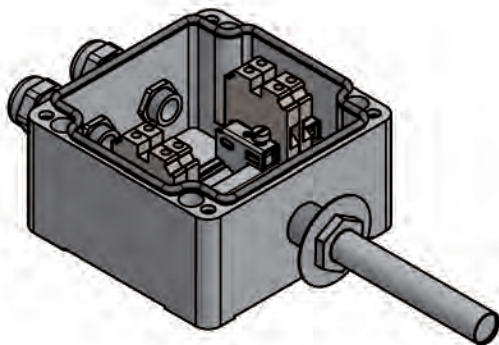


(for further info and actual certificate please contact LICO)

HDL-5 Standard Size junction box dimensions:

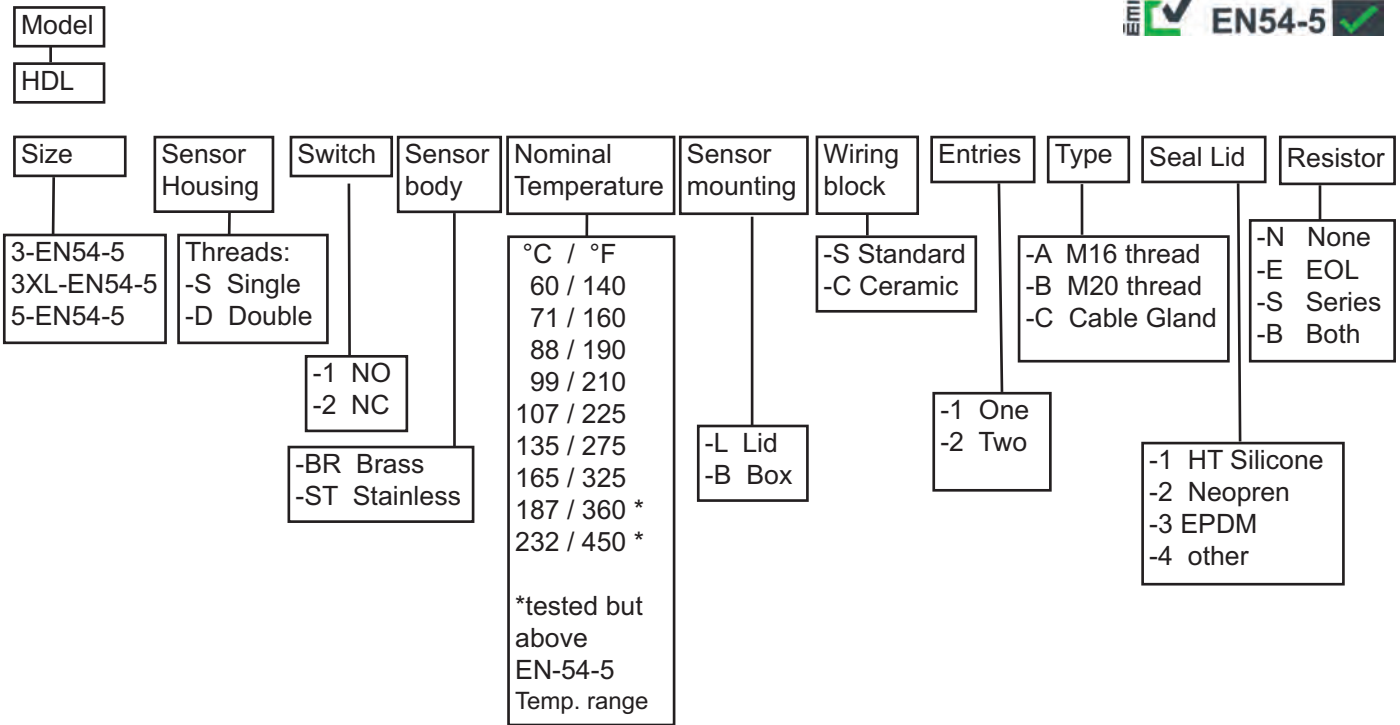
HDL-5	Outside L. (mm)	Outside W. (mm)	Inside L. (mm)	Inside W. (mm)	Height (mm)
Standard	120	122	104	88,5	80

For bespoken, custom made boxes please contact LICO



Custom specific HDL-5 constructions

HDL3-EN54-5 & HDL5-EN54-5 part numbers



Sample Purchase order number:

HDL3-EN54-5-S -1 -BR 135 -B -S -1 -C -1 -N

Examples of order numbers:

for Sauna & Standard Commercial
for High Temperature:

HDL3-EN54-5-S-1-BR135-B-S-1-C-1-N
HDL5-EN54-5-S-1-ST165-B-C-2-C-1-B

Restrictions:

- 2 or + Entries only in size HDL3XL and HDL5
- Resistors: only in size HDL3XL and HDL5
- Double thread Sensor mount: only mount in box, never into lid
- Nominal max. Operating Temperature:
Standard wiring block 135°C+, Ceramic wiring block: 220°C+
- Ceramic wiring block: available only @ HDL5
- General mounting: if not otherwise specified the sensor would be mounted 180° opposite to the cable-gland

Screw-in-pod:



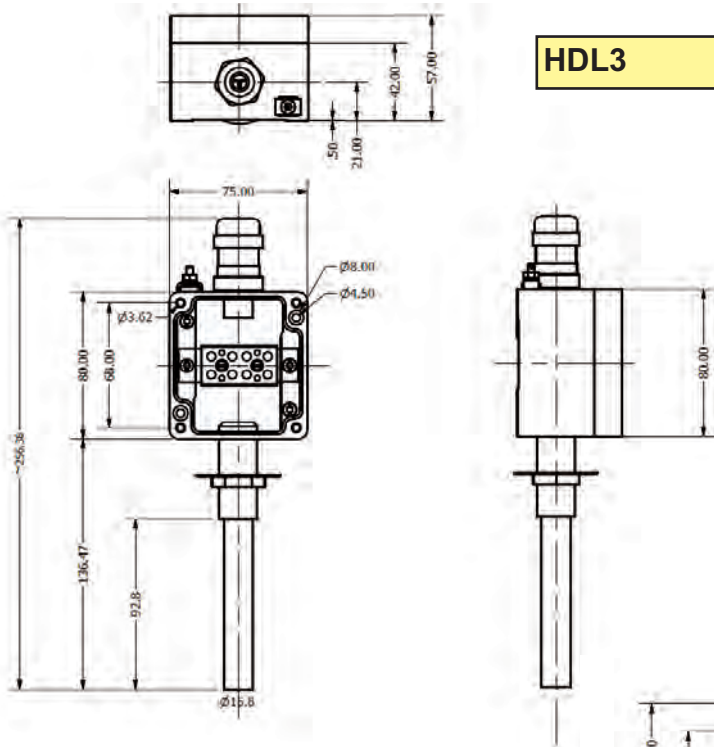
On request:

Weld-in- and Screw-in-pods
ExD Housings
Stainless-steel housings
Stainless-steel cable glands

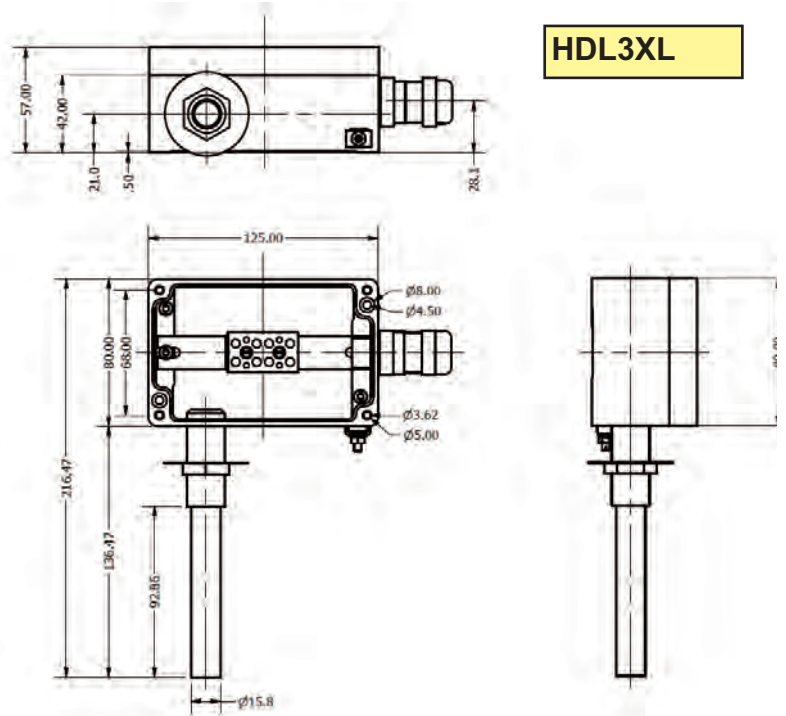
Dimensions:



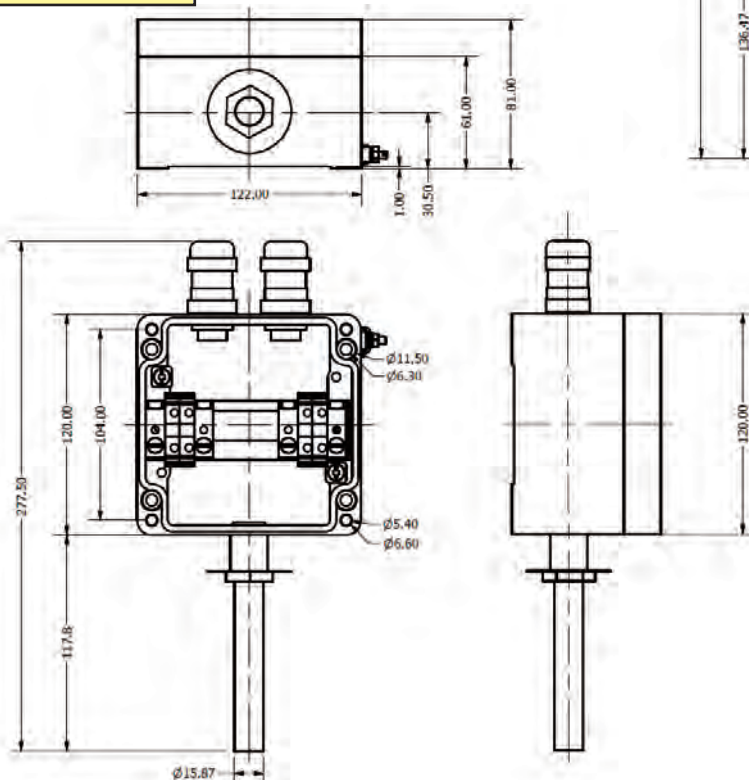
HDL3



HDL3XL



HDL5



Disclaimer:

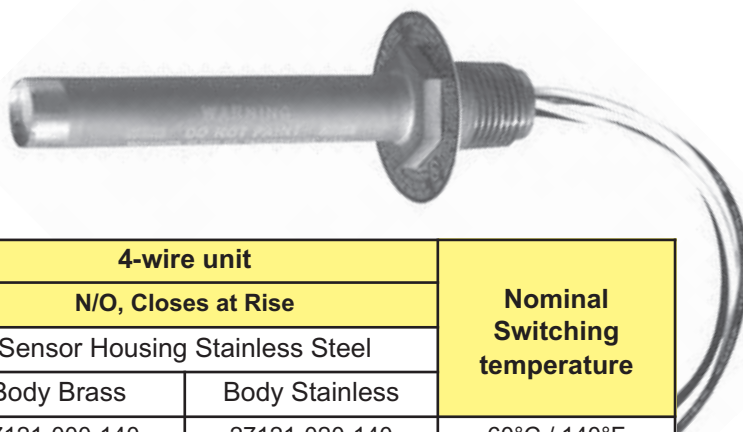
All the herein given specifications, dimensions, weights, temperatures and tolerances and other values are nominal (typical) and LICO reserves the right to vary all data without prior notice. No liability is accepted for any consequence of use.



Available Standard Fenwal DAF® Sensor Variations:

Single Thread units:

Brass & Stainless Steel or
Fully Stainless steel
N/C (2 wire) Opens at temperature rise or
N/C (4-wire) Closes at temperature rise



2-wire unit		4-wire unit		Nominal Switching temperature
N/C, Opens at Rise		N/O, Closes at Rise		
Sensor Housing Stainless Steel		Sensor Housing Stainless Steel		
Body Brass	Body Stainless	Body Brass	Body Stainless	
27120-000-140	27120-022-140	27121-000-140	27121-020-140	60°C / 140°F
27120-000-160	27120-022-160	27121-000-160	27121-020-160	71°C / 160°F
27120-000-190	27120-022-190	27121-000-190	27121-020-190	88°C / 190°F
27120-000-210	27120-022-210	27121-000-210	27121-020-210	99°C / 210°F
27120-000-225	27120-022-225	27121-000-225	27121-020-225	107°C / 225°F
27120-000-275	27120-022-275	27121-000-275	27121-020-275	135°C / 275°F
27120-000-325	27120-022-325	27121-000-325	27121-020-325	165°C / 325°F
27120-000-360	27120-022-360	27121-000-360	27121-020-360	187°C / 360°F
27120-000-450	27120-022-450	27121-000-450	27121-020-450	232°C / 450°F
		27121-000-500	27121-020-500	260°C / 500°F
		27121-000-600	27121-020-600	315°C / 600°F
		27121-000-725	27121-020-725	385°C / 725°F

Double Thread (Coupling Head) units:

Fully Stainless steel in 2 Versions:
N/C (2 wire) Opens at temperature rise
N/C (4-wire) Closes at temperature rise



Class 1, Group A requires fully Stainless-steel Fenwal DAF-versions !

2-wire unit		4-wire unit		Nominal Switching temperature
N/C, Opens at Rise		N/O, Closes at Rise		
Sensor Housing Stainless Steel		Sensor Housing Stainless Steel		
Body Brass	Body Stainless	Body Brass	Body Stainless	
	28020-003-140		28021-005-140	60°C / 140°F
	28020-003-160		28021-005-160	71°C / 160°F
	28020-003-190		28021-005-190	88°C / 190°F
	28020-003-210		28021-005-210	99°C / 210°F
	28020-003-225		28021-005-225	107°C / 225°F
	28020-003-275		28021-005-275	135°C / 275°F
	28020-003-325		28021-005-325	165°C / 325°F
	28020-003-360		28021-005-360	187°C / 360°F
	28020-003-450		28021-005-450	232°C / 450°F
			28021-005-500	260°C / 500°F
			28021-005-600	315°C / 600°F
			28021-005-725	385°C / 725°F



NB-CPR 305/2011 EU
Nr. 1415

ÉMI ÉPÍTÉSÜGYI MINŐSÉGELENŐRZŐ INNOVÁCIÓS NONPROFIT
KORLÁTOLT FELELŐSSÉGŰ TÁRSASÁG
MŰSZAKI IGAZGATÓSÁG
MEGFELELŐSÉGÉRTÉKELŐ KÖZPONT

H-2000 Szentendre, Dózsa György út 26. Levélcím: H-2001 Szentendre, Pf : 180.
Telefon: +36 (1) 372-6100 E-mail: tanusitas@emi.hu Honlap: http://www.emi.hu

EC-CERTIFICATE OF CONSTANCY OF PERFORMANCE

1415-CPR-67-(C-46/2017)

In compliance with Regulation 305/2011/EU of the European Parliament and of the Council of 9 March 2011 (the Construction Products Regulation or CPR), this certificate applies to the construction product

HDL-3, HDL-3XL and HDL-5 heat- fire detectors

with performance shown in the annex as page 3/3 of this certificate
for Fire safety intended use and

produced by

LICO Hungária Kft.
2030 Érd, Rába u. 5., Hungary

and produced in the manufacturing plant

LICO Hungária Kft.
2030 Érd, Kisduna u. 3., Hungary

This certificate attests that all provisions concerning the assessment and verification of constancy of performance and the performances described in Annex ZA of the standard EN 54-5:2000, EN 54-5:2000/A1:2002 under system (1) are applied and that


the product fulfils all the prescribed requirements set out above.

This certificate was first issued on 02.01.2018. and will remain valid as long as the test methods and/or factory production control requirements included in the harmonized standard, used to assess the performance of the declared characteristics, do not change, and the product, and the manufacturing conditions in the plant are not modified significantly.

This certificate consists of 3 pages!

Dated at Szentendre, 2nd January 2018




Molnár Ágnes
Head of Certification Office
Certification Office
of ÉMI Non-profit Ltd.

Bizonylat azonosító: KBIA-IV-1-20170502_EK_TÁT_ENG